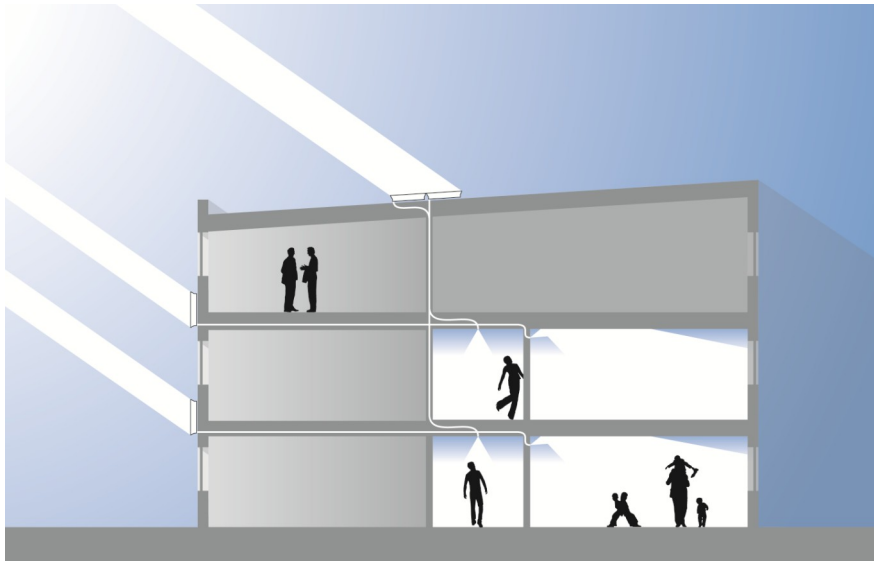


## **SUNLIGHT THROUGH A CABLE**

Parans brings sunlight into gloomy or artificially lit rooms  
Lenses track and collect direct sunlight which is fed into the building through fibre optic cables



The sunlight harnessed is full visible spectrum light



**Natural light—it's good for you, environmentally friendly  
and doesn't cost the earth**

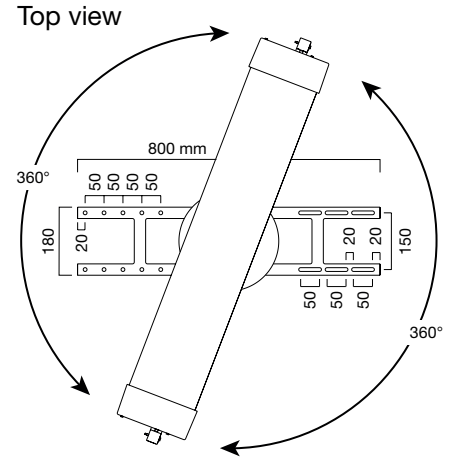
Parans winners of the WWF 2008  
Globe Award for climate innovations

[info@limitless.uk.com](mailto:info@limitless.uk.com)

### SP3 - receiver

Dimensions	1140 x 570 x 270 mm
Weight	32 kg
Power supply	AC 100 – 240 V, 50-60 Hz
Power consumption	0 - 10 W
Operating temperature	-20°C – 40°C
Light output, approx	6000 lm*
Materials	Aluminium, Tempered glass Zinc/nickel steel, Acrylic

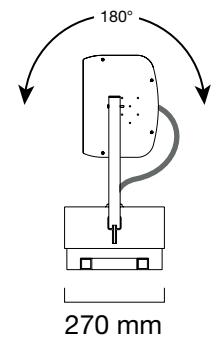
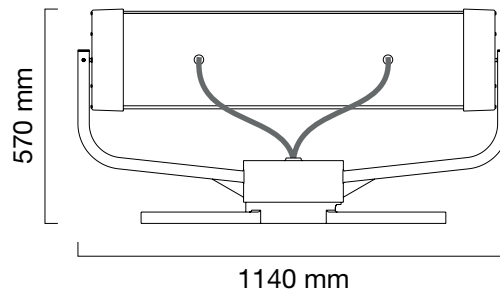
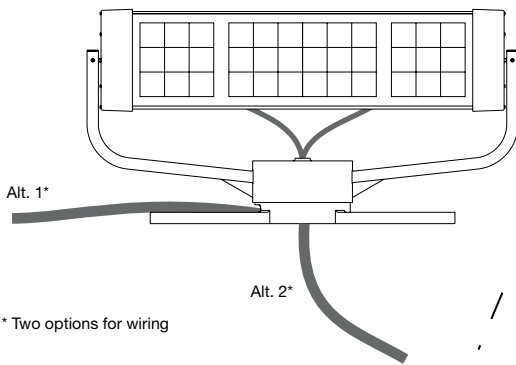
\* All values based on solar illuminance of 100 000 Lux



Front view

Rear view

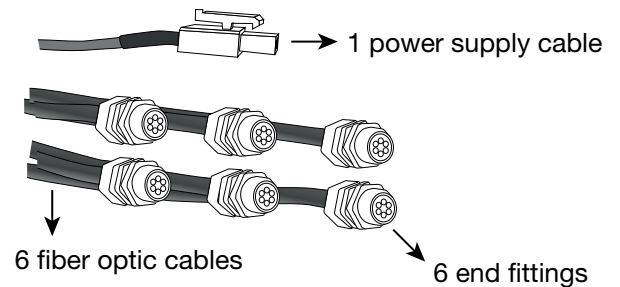
Right view



\* Two options for wiring

**PATENTED TECHNOLOGY**

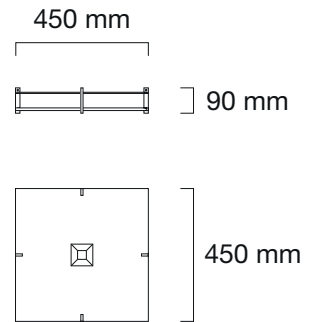
Protective conduit first 3 m



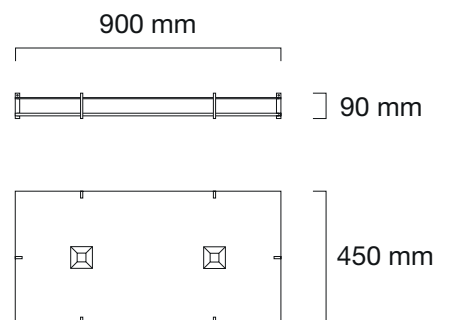
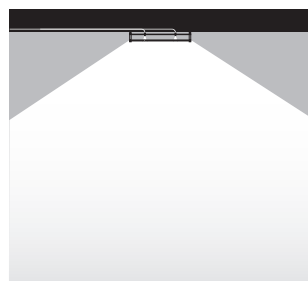
Cabling	C05	C10	C 15	C 20
Length	5 m	10 m	15 m	20 m
Fiber optic cable	6 pcs	6 pcs	6 pcs	6 pcs
Power supply cable	1 pcs	1 pcs	1 pcs	1 pcs
Protective conduit length	first 3 m	first 3 m	first 3 m	first 3 m
Protective conduit diameter	35 mm	35 mm	35 mm	35 mm
Protective conduit Internal diameter	29 mm	29 mm	29 mm	29 mm
Fiber optic cable diameter	7 mm	7 mm	7 mm	7 mm
End fitting diameter	18 mm	18 mm	18 mm	18 mm
Material fiber optic	Acrylic	Acrylic	Acrylic	Acrylic
Material protective coating	PE	PE	PE	PE
Material protective conduit	PA6	PA6	PA6	PA6
Light transmission	96,5 %/m	96,5 %/m	96,5 %/m	96,5 %/m
Light output	4800 lm	3900 lm	3180 lm	2400 lm
Light output for each cable	800 lm	650 lm	530 lm	400 lm
Light spreading angle	approx 60°	approx 60°	approx 60°	approx 60°
Maximum bend radius	50 mm	50 mm	50 mm	50 mm



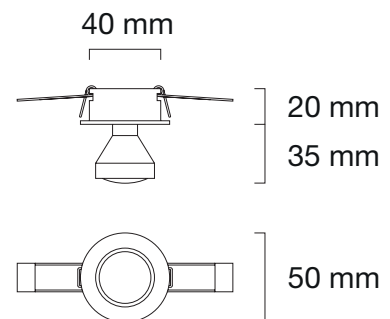
L1 Small



L1 Medium



L3 Spotlight



Luminaires	L1 Small	L1 Medium	L3 Spotlight
Dimensions	450 x 450 x 90 mm	450 x 900 x 90 mm	50 x 50 x 55 mm
Weight	3,6 kg	7,2 kg	53 g
Material	Acrylic	Acrylic	Aluminium, Glass
Luminaires for eath receiver	6	3	6
Light output with 5 m cable	800 lm	1600 lm	800 lm
Light output with 10 m cable	650 lm	1300 lm	650 lm
Light output with 15 m cable	530 lm	1060 lm	530 lm
Light output with 20 m cable	400 lm	800 lm	400 lm



## **PARANS ADVANTAGES**

- \* Zero heat loss and zero condensation
- \* Clear evidence shows that sunlight improves wellbeing and productivity
- \* Healthy sunlight winter and summer
- \* No UV transfer so ideal for art galleries, schools, hospitals, stately homes and museums
- \* Straightforward installation



## **LIMITLESS OFFERS**

Parans and Heliobus presentations

No obligation system design and costing

Site survey and installation guidance

CPD's

Limitless Ltd

T: +44 (0) 1373 831 497

E: [info@limitless.uk.com](mailto:info@limitless.uk.com)

[www.limitless.uk.com](http://www.limitless.uk.com)